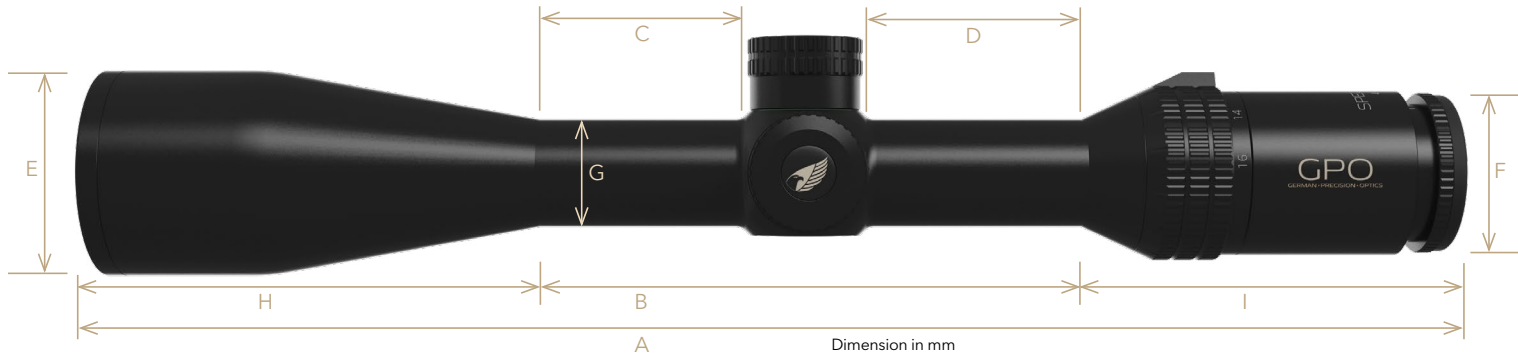




# SPECTRA™ RIFLESCOPES

Technical Information

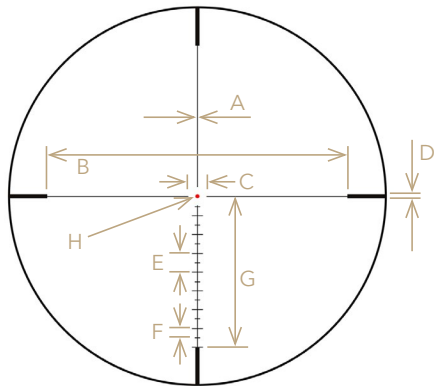
# SPECTRA 4-16x50i



SPECTRA	A	B	C	D	E	F	G	H	I
4-16x50i	373,5	151,2	54,5	57,8	57,2	45,8	30	121	101,3

## SPECTRA 4-16x50i

Magnification	.	4x - 16x
Field of View (FOV) m at 100m	.	10,4 - 2,6
Objective diameter (mm)	Effective diameter	50
Exit pupil diameter (mm)	Measurment. of the pupillary ocular beam	9,5 - 3,1
Eye relief (inches)	From the last optical surface	3,74
Eye relief (mm)	From the last optical surface	95
Travel value per click at 100m	1 clic = x/100m	1
Elevation range total (cm at 100m)	100m	210
Windage range total (cm at 100m)	100m	210
Parallax compensation	.	10m - ∞
Transmission daylight	ISO 14490-5:2005	90%
Height (inches)	Without covers	1,88
Height (mm)	Without covers	47,9
Width (inches)	At outside diameter	3,2
Width (mm)	At outside diameter	81,2
Length (inches)	Fully extended	14,7
Length (mm)	Fully extended	373,5
Tube diameter (mm)	.	30
Weight (oz)	Without cover	20,08
Weight (gram)	Without cover	629
Reticle options	.	G4i Drop
Accessories	.	Instruction manual, cleaning cloth, bikini covers, throw lever, CR2032 battery



Coverage in cm / 100 Meter at 16x

SPECTRA	Reticle	A	B	C	D	E	F	G	H
4-16x50i	G4i Drop	0,45	180	6,6	2,2	10	5	80	1,4

The information about Prices, scope of delivery, technical data's and services correspond to those at the time of printing existing knowledge. Errors, misprints and technical changes are reserved. Reprint, also in part, only with the written permission of GPO GmbH & Co KG.

GPO GmbH & Co. KG  
Wildmoos 9  
82266 Inning am Ammersee  
Tel.: +49 (0) 8142/99 20 87 0  
Fax: +49 (0) 8142/99 20 87 9  
Email: [info@gp-optics.com](mailto:info@gp-optics.com)  
[www.gp-optics.com](http://www.gp-optics.com)