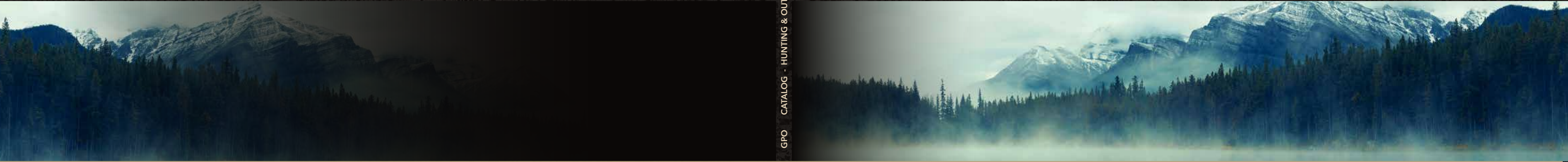




GERMAN · PRECISION · OPTICS

GPO CATALOG - HUNTING & OUTDOOR 2018



CATALOG - HUNTING & OUTDOOR



ABOUT GPO S.2-11

THE PHILOSOPHY OF GPO

MISSION

VISION

RESPONSIBILITY

QUALITY

PRODUCTS S.12-67

BINOCULARS

PASSION™ HD S.16

PASSION™ ED S.22

RIFLESCOPES

PASSION™ 3x S.32

PASSION™ 4x - NEW S.38

PASSION™ 5x - NEW S.46

PASSION™ 6x S.52

PASSION™ 8x S.58

GPOTAC™ TACTICAL S.62

TECHNICAL SPECIFICATIONS S.68

OVERVIEW RECTICLES S.70

THE PHILOSOPHY of GPO

German Precision Optics (GPO) was founded and is run by optical industry senior executives who have experienced how big brands increase profitability to support their massive production infrastructures. This corporate profitability structure normally results in increased consumer pricing or decreased product feature quality. We at GPO have a unique corporate structure that allows us to build higher-quality products with better features at similar prices or similar-quality products at better prices. All our design, engineering, and quality management is done internally in Germany.

The target of GPO is to apply a lean and efficient business model, eliminate any unnecessary overhead and have a team, that is fully dedicated to serve our customer's needs in the best way.

Our small, dynamic team is supported on a global scale by some of the best optical and mechanical engineers, designers, developers and marketing plus electronic specialists available.

Together with our partners we have established a company which is already being recognized for its outstanding customer orientation and portfolio of products which offer excellent value for the money to our customers.

With some of the best styled, performing and functional products on the market today we invite you to explore GPO and count on us to help you Enjoy Your PASSION™.

MISSION

Our business is to design, develop and provide premium precision optics for professional users on a global level.

How do we go about achieving this? We do so by partnering with top talent across all areas, from design, to development to production, ensuring that the products we bring to market are the ones you want for the price you demand. Flexibility is key in our organization, which is why we utilize multiple partners as well as attack multiple channels to ensure a wide saturation of the GPO brand across the world.

In areas of design we make sure that whether you enjoy a PASSION™ ED for your daily outdoor adventures binocular or are in the market for the dependable and durable GPOTAC 1-8x24i for your

sport shooting needs, that these products are designed to meet your needs. From that stage we ensure that the development of our products meet or exceed the standards of the competition while not adding extra costs which you unnecessarily must pay for. Smart features like integrated third-turret parallax + illumination control on our PASSION™ 6x 2.5-15x56 provide you with the necessary tools for accurate shot placement at long-distances as well as in poor light conditions. Combined with our multi-tiered platform for production planning and sourcing, you can be ensured that availability of your favorite GPO products will never be an issue with your local dealer.



VISION

We want to be the partner of choice for our customers in all our segments.

Being a partner means that we always aspire to understand all aspects of our customers' requirements. We know how our customers work and what challenges they face. We want to help and offer our customer the best price, quality and service value.

"We want to help our customers enjoy their passion"

GPO will be your partner in all your outdoor adventures. Quality, dependable and functional optics help make your PASSION™ a reality. We intend to help you get there.



RESPONSIBILITY

WE FIGHT. WE SUPPORT. WE CARE.

Every organization believes in something. German Precision Optics believes in you. Your interest in our products defines you as an outdoor enthusiast, someone who loves nature, conservation, and all of the world's nature where you can enjoy your outdoor passion.

Already in our early stages, GPO, USA has made concerted efforts to support the outdoor lifestyle of our customers by donating proceeds of each sale to several hunting, shooting and birding associations throughout North America. This is not a one-time effort, but a continuous and ever-expanding effort from GPO to support, on a global level, all those who support our pastimes.

In addition to donations, we also ensure that all our products meet the rigorous demands of all EU regulations related to health, safety and consumer protection. When you buy a GPO product you can rest assured that the way it was designed, engineered and ultimately manufactured and delivered to you were all at the highest possible standards.

QUALITY

As a small company led by former executives from major sports optics manufacturing companies, we know what quality stands for. We also know that to build the type of company we want where you our customers will be proud of buying GPO products, quality is key.

We know the issues that can arise in the manufacturing process which will have a negative impact on you and we have aimed to eliminate those with our partners, so you won't have to worry about them later.

That is why we continuously monitor, control and review all products we supply to you. Starting with our global partners down to each individual binocular and riflescope, we make sure that they meet the type of quality you can be satisfied

with. As you read this catalogue you can be assured that we are inspecting and quality testing a new PASSION™ HD binocular or PASSION™ 8x riflescope at this very moment. Turrets, focus wheels, eyepieces, ocular rings... Everything where you have experienced problems in the past, we know about it, and have done as much as possible to eliminate these issues.

Our dedication to making sure you get the excellent quality performing products is first and foremost in our priorities and what we consider with every step of the design, development and manufacturing process.

Our company, our names and our futures depend on the quality of our products. For those reasons you can be assured that

you will have quality function and high performance with each and every GPO product you purchase.

GPO Binoculars

Introduction Binoculars

GPO provides binoculars designed and tested to meet the needs of users from across the world for all their observation needs. Our PASSION™ HD premium binoculars which represent the height of design, function and performance provide excellent light-transmission, edge-to-edge sharpness, close focus and brilliant color reproduction.

Design wise, the PASSION™ HD have an innovative microbridge which provides a unique and elegant design while the magnesium housing, coated magnesium bridge and fully machined aluminum rotary eyecups provide maximum ruggedness with minimal weight. To round out the top-class features we have included an integrated locking-diopter correction with the

central focus wheel, making this range of binoculars some of the best looking and performing in their class.

The PASSION™ ED range offers the perfect entry into the world of high-quality observation optics at an unbeatable priceperformance ratio. The sleek and ergonomic design has been combined with the use of high quality materials. The entire housing is made of pure magnesium. Thanks to ED lenses, multi-layer coatings and quality optical design, they offer wide fields of view, high edge-to-edge sharpness and transmission values as well as an extreme close focus. You will be hard pressed to find a comparable binocular which is lighter and as compact.

PASSION™ HD	PASSION™ ED
8x42	8x32
10x42	10x32
8.5x50	8x42
10x50	10x42
12.5x50	8x56 - NEW
	10x56 - NEW



GPO Riflescopes



Introduction Riflescopes

With a wide array of riflescope choices to fit your exact hunting and shooting needs, GPO offers everything you need to truly Enjoy Your Passion. We use only the highest-grade Aluminum alloys in our single-piece main tubes and combined with precision turrets for hunting or target shooting, you get precision tracking and repeatable shot placement every time. Flexible in practically every hunting situation and even in the most adverse light conditions, they offer excellent performance data for transmission, field of vision and exit pupil. This is based on the use of HD lenses, advanced multi-layer

coatings and optical calculations. In addition to the extremely fine luminous dot and fiber reticle, emphasis was placed on wide adjustment ranges and tool-free zeroing. With industry leading specifications and tested performance to back it up, GPO PASSION™ riflescopes in any configuration from 3x up to 8x zoom ratios, will get the job done for you in all hunting and shooting conditions.

PASSION™ 3x
PASSION™ 4x - NEW
PASSION™ 5x - NEW
PASSION™ 6x
PASSION™ 8x
GPOTAC™



PASSION™ HD LINE BINOCULAR



PASSION™ HD

PASSION™ HD represent the absolute premium class from GPO. HD optical design combined with state-of-the-art multi-layer coatings creates optical excellence in transmission, field of view, edge-to-edge sharpness, close focus and color reproduction. Thanks to our hydrophobic coating PASSIONdrop™ all optics are dirt and water repellent. The innovative microbridge offers a high quality and very ergonomic design. Magnesium housing, coated magnesium bridge and the fully machined aluminum rotary eyecups provide maximum ruggedness with minimal weight. The diopter adjustment was integrated in the central focusing wheel to provide comfortable ease of use. If you do not want to compromise on the quality of your binoculars and are looking for an extremely fair price-performance ratio, you will find it here.

PASSION™ HD 8x42 / 10x42



Universal Companion

The PASSION™ HD 8x/10x 42mm models are compact, lightweight and high-quality options for all your outdoor needs.

PASSION™ HD 8,5x50 / 10x50 / 12,5x50

Big Performance

The PASSION™ HD 8.5x/10x/12.5x 50mm models are characterized by large objective lenses to allow for higher light transmission for the most challenging light conditions.



TECHNICAL SPECIFICATIONS



PASSION™ 8x42HD



PASSION™ 10x42HD



PASSION™ 8,5x50HD



PASSION™ 10x50HD



PASSION™ 12,5x50HD

Prism type:	.	Schmidt-Pechan	Schmidt-Pechan	Schmidt-Pechan	Schmidt-Pechan	Schmidt-Pechan
Magnification:	.	8x	10x	8,5x	10x	12,5x
Field of view (FOV) ft at 1000y:	.	375	336	315	309	286
Field of view (FOV) m at 1000m:	.	125	112	105	103	92
Objective diameter (mm):	Effective diameter	42	42	50	50	50
Ocular diameter (mm):	Effective diameter	42,2	42,2	42,2	42,2	42,2
Exit pupil diameter (mm):	Measurement of the pupillary ocular beam	5,25	4,2	5,88	5	4
Eye Relief (inches):	From the last optical surface	0,77	0,67	0,67	0,67	0,67
Eye Relief (mm):	From the last optical surface	19,5	17	17	17	17
Housing:	Main body and hinge	magnesium	magnesium	magnesium	magnesium	magnesium
Close focus (feet):	Shortest focal distance	6,5	6,5	9,8	9,2	8,2
Close focus (meters):	Shortest focal distance	2	2	3	2,8	2,5
Interpupillary Distance (IPD):	Center pupil to center pupil measurement	57-75	57-75	58-76	58-76	58-76
Dioptric compensation range:	.	-2.5, +2.5	-2.5, +2.5	-2.5, +2.5	-2.5, +2.5	-2.5, +2.5
Waterproof:	Mbars	300	300	300	300	300
Transmission Daylight:	ISO 14490-5:2005	91%	91%	91%	91%	91%
Height (inches):	Without covers	2,2	2,2	2,5	2,5	2,5
Height (mm):	Without covers	56	56	64	64	64
Weight (ounces):	Without covers	29,9	30,3	33,5	33,8	34,2
Weight (grams):	Without covers	850	860	950	960	970
Length (inches):	At outside diameter	6,1	6,1	6,9	6,9	6,9
Length (mm):	At outside diameter	156	156	175	175	175
Width (inches):	Fully extended	5,1	5,1	5,3	5,3	5,3
Width (mm):	Fully extended	130	130	135	135	135
Accessories included with this purchase:		instruction manual, cleaning cloth, hard case, neoprene neck strap, hard case strap, objective covers, ocular covers	instruction manual, cleaning cloth, hard case, neoprene neck strap, hard case strap, objective covers, ocular covers	instruction manual, cleaning cloth, hard case, neoprene neck strap, hard case strap, objective covers, ocular covers	instruction manual, cleaning cloth, hard case, neoprene neck strap, hard case strap, objective covers, ocular covers	instruction manual, cleaning cloth, hard case, neoprene neck strap, hard case strap, objective covers, ocular covers

PASSION™ ED LINE BINOCULAR



PASSION™ ED

PASSION™ ED binoculars offer the perfect entry into the world of high-quality observation optics at an unbeatable price-performance ratio. The sleek and ergonomic design has been combined with the use of high quality materials. The entire housing is made of pure magnesium. Thanks to ED lenses, multi-layer coatings and adapted optics, they offer a wide field of view, high edge-to-edge sharpness and transmission values as well as a shortened close focus. Their robustness and optical performance make them unique performers in their class.

PASSION™ ED 8x32 / 10x32



Compact Design with Full-Sized Performance

PASSION™ ED 8x/10x 32mm models are our most compact, lightweight binoculars yet sacrifice next to nothing in terms of optical performance and durability.

Available in four color models: Black, Sand, Green, Brown



PASSION™ ED 8x42 / 10x42



All-Around Performance

PASSION™ ED 8x/10x 42mm models provide big-time performance in a compact, lightweight package. Ideal for all outdoor enthusiasts.

Available in four color models: Black, Sand, Green, Brown



PASSION™ 8x56 / 10x56



Specialist for Night

PASSION™ 8x/10x 56mm models are our newest offering aimed specifically at those who demand excellent low-light performance at a reasonable price.

PASSION™ ED 8x32 / 10x32 | 8x42 / 10x42

Custom for You

The PASSION™ ED custom line is based on the 8x32, 10x32, 8x42 and 10x42 models. By including custom color elements, we aim to fit your unique style and preferences.



TECHNICAL SPECIFICATIONS



Prism type:	.	Schmidt-Pechan	Schmidt-Pechan	Abbe-König	Abbe-König	Schmidt-Pechan	Schmidt-Pechan
Magnification:	.	8x	10x	8x	10x	8x	10x
Field of view (FOV) ft at 1000y:	.	420	316	386	342	428	342
Field of view (FOV) m at 1000m:	.	139	104	129	114	143	114
Objective diameter (mm):	Effective diameter	32	32	56	56	42	42
Ocular diameter (mm):	Effective diameter	18	18	23,7	23,7	23,7	23,7
Exit pupil diameter (mm):	Measurement of the pupillary ocular beam	4	3,28	7	5,6	5,25	4,2
Eye Relief (inches):	From the last optical surface	0,63	0,59	0,7	0,7	0,7	0,63
Eye Relief (mm):	From the last optical surface	16	15	20	20	18	16
Housing:	Main body and hinge	magnesium	magnesium	magnesium	magnesium	magnesium	magnesium
Close focus (feet):	Shortest focal distance	6,6	7,2	7,5	8,2	5,9	6,6
Close focus (meters):	Shortest focal distance	2	2,2	2,3	2,5	1,8	2
Interpupillary Distance (IPD):	Center pupil to center pupil measurement	56-73	56-73	57-75	57-75	56-75	56-75
Dioptric compensation range:	.	-2.5, +2.5	-2.5, +2.5	-2.5, +2.5	-2.5, +2.5	-2.5, +2.5	-2.5, +2.5
Waterproof:	Mbars	100	100	100	100	100	100
Transmission Daylight:	ISO 14490-5:2005	90%	90%	92%	91%	90%	90%
Height (inches):	Without covers	1,7	1,7	2,6	2,6	2,2	2,2
Height (mm):	Without covers	44	44	67	67	55	55
Weight (ounces):	Without covers	18,3	17,6	.	.	26,1	25,5
Weight (grams):	Without covers	520	500	.	.	740	725
Length (inches):	At outside diameter	4,6	4,6	7,5	7,5	5,4	5,4
Length (mm):	At outside diameter	118	118	192	192	138	138
Width (inches):	Fully extended	4,6	4,6	6,2	6,2	5	5
Width (mm):	Fully extended	118	118	158	158	127	127
Accessories included with this purchase:	.	instruction manual, cleaning cloth, hard case, neoprene neck strap, hard case strap, objective covers, ocular covers	instruction manual, cleaning cloth, hard case, neoprene neck strap, hard case strap, objective covers, ocular covers	instruction manual, cleaning cloth, hard case, neoprene neck strap, hard case strap, objective covers, ocular covers	instruction manual, cleaning cloth, hard case, neoprene neck strap, hard case strap, objective covers, ocular covers	instruction manual, cleaning cloth, hard case, neoprene neck strap, hard case strap, objective covers, ocular covers	instruction manual, cleaning cloth, hard case, neoprene neck strap, hard case strap, objective covers, ocular covers



PASSION™ 3x

RIFLESCOPE

PASSION™ 3x

Thanks to their 1-inch center tube diameter, the 3x zoom riflescopes impress with their slim design, short length and low weight. The outstanding optical quality is highlighted by wide fields of view and high light transmission values. Large lens diameters provide reserves of light until deep into the twilight. Unique in this class are the illuminated 3xi models featuring iControl™ illumination with automatic shut-off.

PASSION™ 3x 3-9x42 / 4-12x42



PASSION™ 3x

This entry-premium, 1-inch line of riflescopes packs incredible features into small, compact, and versatile optics, with premium features like industry-leading field of view, quick-adjust turrets, fast focus ocular, and generous eye relief. PASSION™ 3x is sure to be your go to choice that transforms a hunt into a harvest.

- 1-inch Main Tube
- 42mm Objective Lens Diameter
- Double HD Objective Lenses
- 1/4 MOA / CCW Rotation
- Fast Focus Ocular
- Anodized Aluminum Turret Caps
- GPObright™ Lens Coatings

Reticle Option: Plex



Reticle Option: BDC



PASSION™ 3x 3-9x40i / 4-12x50i



PASSION™ 3x

This entry-premium, 1-inch line of riflescopes packs incredible features into small, compact, and versatile optics, with premium features like quick-adjust turrets, fast focus ocular, and generous eye relief. This scope includes the cutting-edge GPO iControl™ auto-off illuminated reticle feature. PASSION™ 3xi is sure to be your go rifle scope to help transform a hunt into a harvest.

- 1-inch Main Tube
- 40mm or 50mm Objective Lens Diameter
- Double HD Objective Lenses
- 1/4 MOA / CCW Rotation
- Fast Focus Ocular
- Anodized Aluminum Turret Caps
- GPObright™ Lens Coatings
- iControl™ Illumination

Reticle Option: G4i



TECHNICAL SPECIFICATIONS



PASSION™ 3x 3-9x42



PASSION™ 3x 4-12x42



PASSION™ 3x 3-9x40i



PASSION™ 3x 4-12x50i

Magnification:	.	3x - 9x	4x - 12x	3x - 9x	4x - 12x
Field of view (FOV) ft at 100y:	.	44,67 - 16,6	34 - 14	36,2 - 12,1	36,2 - 12,1
Field of view (FOV) m at 100m:	.	14,8 - 5,5	11 - 4,5	12 - 4	10,4 - 3,2
Objective diameter (mm):	Effective diameter	42	42	40	50
Exit pupil diameter (mm):	Measurement of the pupilay ocular beam	14 - 4,7	11 - 3,5	13,3 - 4,5	10 -3,3
Eye Relief (inches):	From the last optical surface	3,74	3,74	3,54	3,54
Eye Relief (mm):	From the last optical surface	95	95	90	90
Travel value per click at 100y:	1 Click = x/100y	.25 (1/4")	.25 (1/4")	.25 (1/4")	.25 (1/4")
cm travel value per click at 100m:	1 Click = x/100m	0,7	0,7	0,7	0,7
Elevation range total (inches at 100y):	100y	72	61	50	50
Elevation range total (cm at 100m):	100m	200	170	140	140
Windage range total (cm at 100):	100m	200	170	140	140
Parallax compensation:	Parallax free at x distance	100 yds	100 yds	100 yds	100 yds
Transmission Daylight:	ISO 14490-5:2005	90%	90%	93%	93%
Height (inches):	Without covers	1,8	1,8	1,7	1,7
Height (mm):	Without covers	45	45	43,4	43,4
Width (inches):	Fully extended	1,8	1,8	2,4	2,4
Width (mm):	Fully extended	45	45	60	60
Length (inches):	At outside diameter	11,7	12,2	12,5	12,5
Length (mm):	At outside diameter	298	310	317	317
Tube diameter (mm):	Width of main tube	1"	1"	1"	1"
Weight (ounces):	Without covers	14,4	14,5	15,1	18,3
Weight (grams):	Without covers	410	413	430	520
Mechanical outer diameter (objective mm):	Obejective end of scope	49,5	49,5	47,5	60
Mechanical outer diameter (ocular mm):	Ocular end of scope	42,5	42,5	41	41
Recticle Option:	.	Plex	Plex	G4i (German #4 illuminated)	G4i (German #4 illuminated)
Accessories included with this purchase:	.	instruction manual, cleaning cloth, bikini scope cover	instruction manual, cleaning cloth, bikini scope cover	Instruction manual, cleaning cloth, bikini scope cover, battery CR2032	Instruction manual, cleaning cloth, bikini scope cover, battery CR2032



PASSION™ 4x

RIFLESCOPE



PASSION™ 4x

This premium 30mm line of riflescopes provides additional advantages to the shooter, with higher magnification and larger objective lenses best suited to low-light shooting. The excellent range of adjustment on the 6-24x50 makes it perfect for long range shooting. The 3-12x56 is designed for use in the lowest and toughest light conditions.

PASSION™ 4x 3-12x56



PASSION™ 4x

This premium 30mm rifle scope gives additional advantages to the shooter, with higher magnification and a larger objective lens best suited to low-light shooting. The 56mm objective lens means the 3-12x56 is an ideal choice for use in the lowest and toughest light conditions.

- 30mm Main Tube
- 56mm Objective Lens Diameter
- Double HD Objective Lenses
- Anodized Aluminum Turret Caps
- 1 CM / CW Rotation
- GPObright™ Lens Coatings

Reticle Option: G4



PASSION™ 4x 3-12x56i



PASSION™ 4x

This premium 30mm rifle scope gives additional advantages to the shooter, with higher magnification and a larger objective lens best suited to low-light shooting. The 56mm objective lens means the 3-12x56i is an ideal choice for use in the lowest and toughest light conditions. It features the modern iControl™ auto-off illumination technology.

- 30mm Main Tube
- 56mm Objective Lens Diameter
- Double HD Objective Lenses
- Anodized Aluminum Turret Caps
- 1 CM / CW Rotation
- iControl™ Illumination
- GPObright™ Lens Coatings

Reticle Option: G4i



PASSION™ 4x 6-24x50

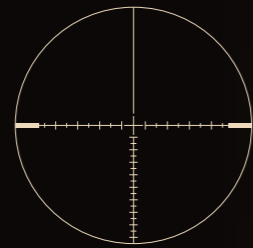


PASSION™ 4x

The 6-24x50 provides a 30mm main tube as well as 56mm objective lens and top GPObright™ lens coatings to ensure that even when shooting at long-distances you have top optical performance. The impressive elevation adjustment make it perfect for long-range hunting and target shooting.

- 30mm Main Tube
- 50mm Objective Lens Diameter
- Double HD Objective Lenses
- 1/4 MOA or 1 CM Click Adjustments
- CW or CCW Turret Rotations
- Target Turrets
- GPObright™ Lens Coatings

Reticle Option: GPOps



TECHNICAL SPECIFICATIONS



PASSION™ 4x 3-12x56



PASSION™ 4x 3-12x56i



PASSION™ 4x 6-24x50 CCW



PASSION™ 4x 6-24x50 CW

Magnification:	.	3x - 12x	3x - 12x	6x - 24x	6x - 24x
Field of view (FOV) ft at 100y:	.	34 - 14	34 - 14	17 - 4,5	17 - 4,5
Field of view (FOV) m at 100m:	.	12,5 - 3	12,5 - 3	5,6 - 1,5	5,6 - 1,5
Objective diameter (mm):	Effective diameter	56	56	50	50
Exit pupil diameter (mm):	Measurement of the pupillary ocular beam	19 - 4,7	19 - 4,7	8,3 - 2,1	8,3 - 2,1
Eye Relief (inches):	From the last optical surface	3,54	3,54	3,7	3,7
Eye Relief (mm):	From the last optical surface	90	90	95	95
Travel value per click at 100y:	1 Click = x/100y	.	.	.25 (1/4)	1
cm travel value per click at 100m:	1 Click = x/100m	1	1	1/4	1
Elevation range total (inches at 100y):	100y	52	52	76	76
Elevation range total (cm at 100m):	100m	145	145	215	215
Windage range total (cm at 100):	100m	145	145	100	100
Parallax compensation:	Parallax free at x distance	100 m	100 m	side adjustment	side adjustment
Transmission Daylight:	ISO 14490-5:2005	90%	90%	90%	90%
Height (inches):	Without covers	2,8	2,8	2	2
Height (mm):	Without covers	72	72	52	52
Width (inches):	Fully extended	2,1	2,8	2,8	2,8
Width (mm):	Fully extended	54,5	73	72	72
Length (inches):	At outside diameter	13,4	13,4	14,2	14,2
Length (mm):	At outside diameter	340	340	362	362
Tube diameter (mm):	Width of main tube	30	30	30	30
Weight (ounces):	Without covers	23,7	24,5	26,4	26,4
Weight (grams):	Without covers	674	696	750	750
Mechanical outer diameter (objective mm):	Obejctive end of scope	63,5	63,5	58	58
Mechanical outer diameter (ocular mm):	Ocular end of scope	44	44	43,5	43,5
Reticle Option:	.	G4 (German #4)	G4i (German #4 illuminated)	Ballistic GPOps MOA	Ballistic GPOps Mrad
Accessories included with this purchase:	.	instruction manual, cleaning cloth, bikini scope cover	instruction manual, cleaning cloth, bikini scope cover, battery CR2032	instruction manual, cleaning cloth, bikini scope cover	instruction manual, cleaning cloth, bikini scope cover





PASSION™ 5x RIFLESCOPE

PASSION™ 5x

Aimed to take your shooting experiences to a higher level, the PASSION™ 5x riflescope models offer precise, reliable and high-quality performance for diverse hunting scenarios. 30mm main tubes, GPObright™ lens coatings and iControl™ illumination technology are just some of the features you will find in these models. Packed full of performance to help you Enjoy Your Passion.

PASSION™ 5x 1-5x24i



PASSION™ 5x

This compact, lightweight rifle scope with magnification from 1x to 5x allows for quick shooting on fast moving targets at close range as well as accurate shot placement at extended distances.

- 30mm Main Tube
- Double HD Objective Lenses
- 1 CM / CW Rotation
- Exposed Locking Turrets
- GPObright™ Lens Coatings
- iControl™ Illumination

Reticle Option: G4i



PASSION™ 5x 3,5-18x56i



PASSION™ 5x

When a little more is what you really need. The PASSION™ 5x 3.5-18x56i provides a wide field of view, excellent light transmission, superb low-light resolution and extra magnification for those challenging long-range shots.

- 30mm Main Tube
- 56mm Objective Lens Diameter
- Double HD Objective Lenses
- Anodized Aluminum Turret Caps
- 1 CM / CW Rotation
- GPObright™ Lens Coatings
- iControl™ Illumination

Reticle Option: G4i



TECHNICAL SPECIFICATIONS



PASSION™ 5x 1-5x24i



PASSION™ 5x 3,5-18x56i

Magnification:	.	1x - 5x	3,5 - 18x
Field of view (FOV) ft at 100y:	.	110 - 17,7	.
Field of view (FOV) m at 100m:	.	37 - 6	.
Objective diameter (mm):	Effective diameter	24	56
Exit pupil diameter (mm):	Measurement of the pupillary ocular beam	12,5 - 4	.
Eye Relief (inches):	From the last optical surface	3,54	3,54
Eye Relief (mm):	From the last optical surface	90	90
cm travel value per click at 100m:	1 Click = x/100m	1	1
Elevation range total (cm at 100m):	100m	300	.
Windage range total (cm at 100):	100m	200	.
Parallax compensation:	Parallax free at x distance	100 m	sidefocus
Transmission Daylight:	ISO 14490-5:2005	90%	90%
Height (inches):	Without covers	2	.
Height (mm):	Without covers	53	.
Width (inches):	Fully extended	2,7	.
Width (mm):	Fully extended	69,5	.
Length (inches):	At outside diameter	10,6	.
Length (mm):	At outside diameter	270	.
Tube diameter (mm):	Width of main tube	30	30
Weight (ounces):	Without covers	19,4	.
Weight (grams):	Without covers	550	.
Mechanical outer diameter (objective mm):	Obejctive end of scope	30	.
Mechanical outer diameter (ocular mm):	Ocular end of scope	43,5	.
Recticle Option:	.	G4i (German #4 illuminated)	G4i (German #4 illuminated)
Accessories included with this purchase:	.	instruction manual, cleaning cloth, bikini scope cover, battery CR2032	instruction manual, cleaning cloth, bikini scope cover, battery CR2032





PASSION™ 6x RIFLESCOPE

PASSION™ 6x

This super-premium 30mm line of riflescopes offers a comprehensive array of features for shooters, including our GPObright™ multi-coatings and iControl™ illumination systems. Additionally, the PASSIONtrac™ quick-zero turret system is a breeze to operate and provides reliable, repeatable adjustments. The 6x super-zoom allows extreme versatility for close and distance usage. The large internal lenses assure optical brilliance and low-light visibility. These superpremium flagship products are sure to impress the most discerning big game trophy hunter.

PASSION™ 6x 1-6x24i



PASSION™ 6x

This super-premium 30mm 1-6x24i is an ideal choice for your next driven or dangerous game hunt. An extremely wide field of view along with a day-light/lowlight capable red dot powered by our iControl™ illumination make for quick target acquisition and accurate shot placement.

- 30mm Main Tube
- Double HD Objective Lenses
- Super-Zoom 6x Magnification Range
- iControl™ Illumination
- GPObright™ Lens Coatings
- PASSIONtrac™ Quick-Zero Turrets

Reticle Option: G4i



PASSION™ 6x 2,5-15x50i (56i)

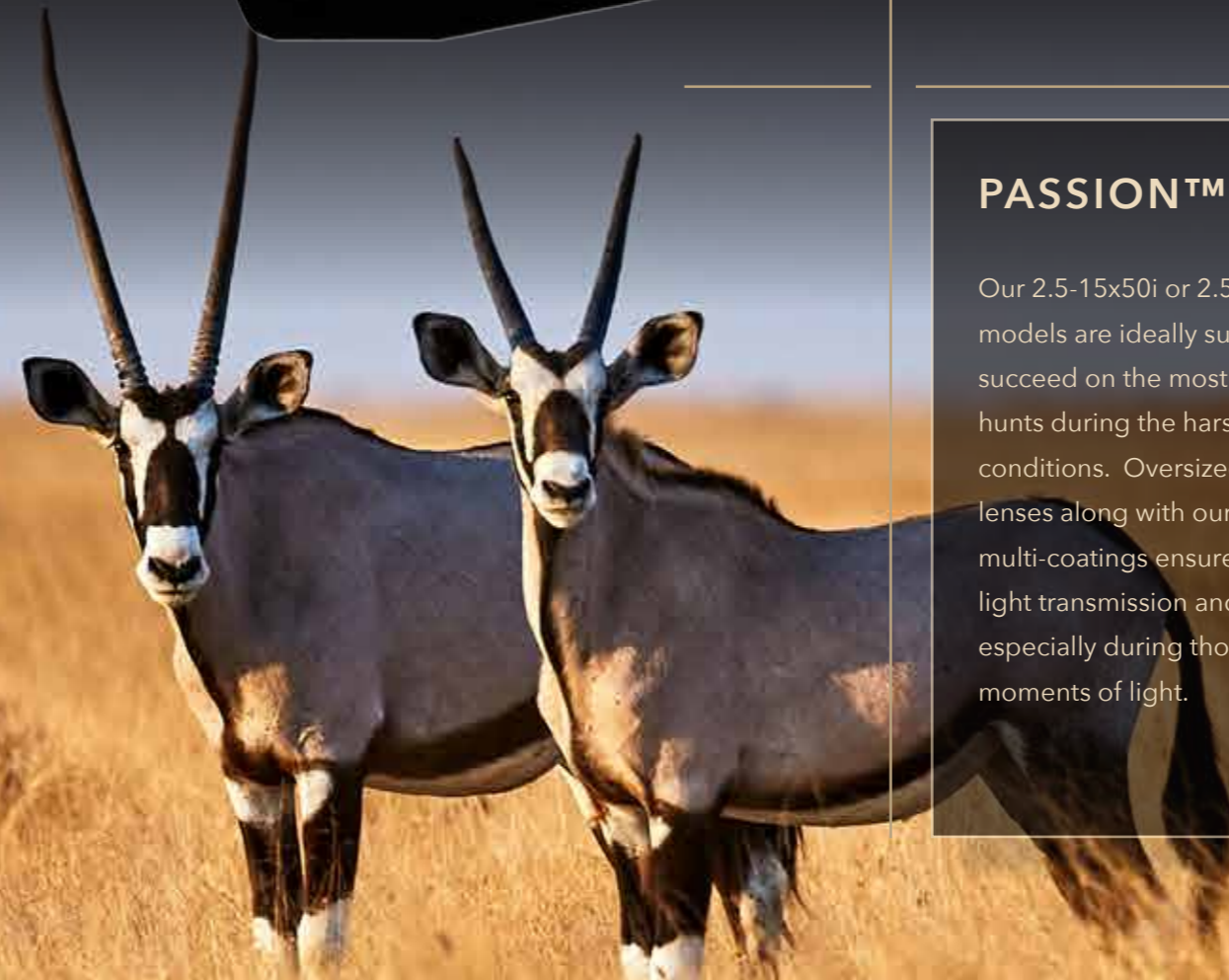


PASSION™ 6x

Our 2.5-15x50i or 2.5-15x56i models are ideally suited help you succeed on the most challenging hunts during the harshest lighting conditions. Oversized objective lenses along with our GPObright™ multi-coatings ensure top-class light transmission and resolution... especially during those critical last moments of light.

- 30mm Main Tube
- 50mm or 56mm Objective Lens Diameter
- Double HD Objective Lenses
- Super-Zoom 6x Magnification Range
- iControl™ Illumination
- GPObright™ Lens Coatings
- PASSIONtrac™ Quick-Zero Turrets

Reticle Option: G4i



TECHNICAL SPECIFICATIONS



PASSION™ 6x 1-6x24i

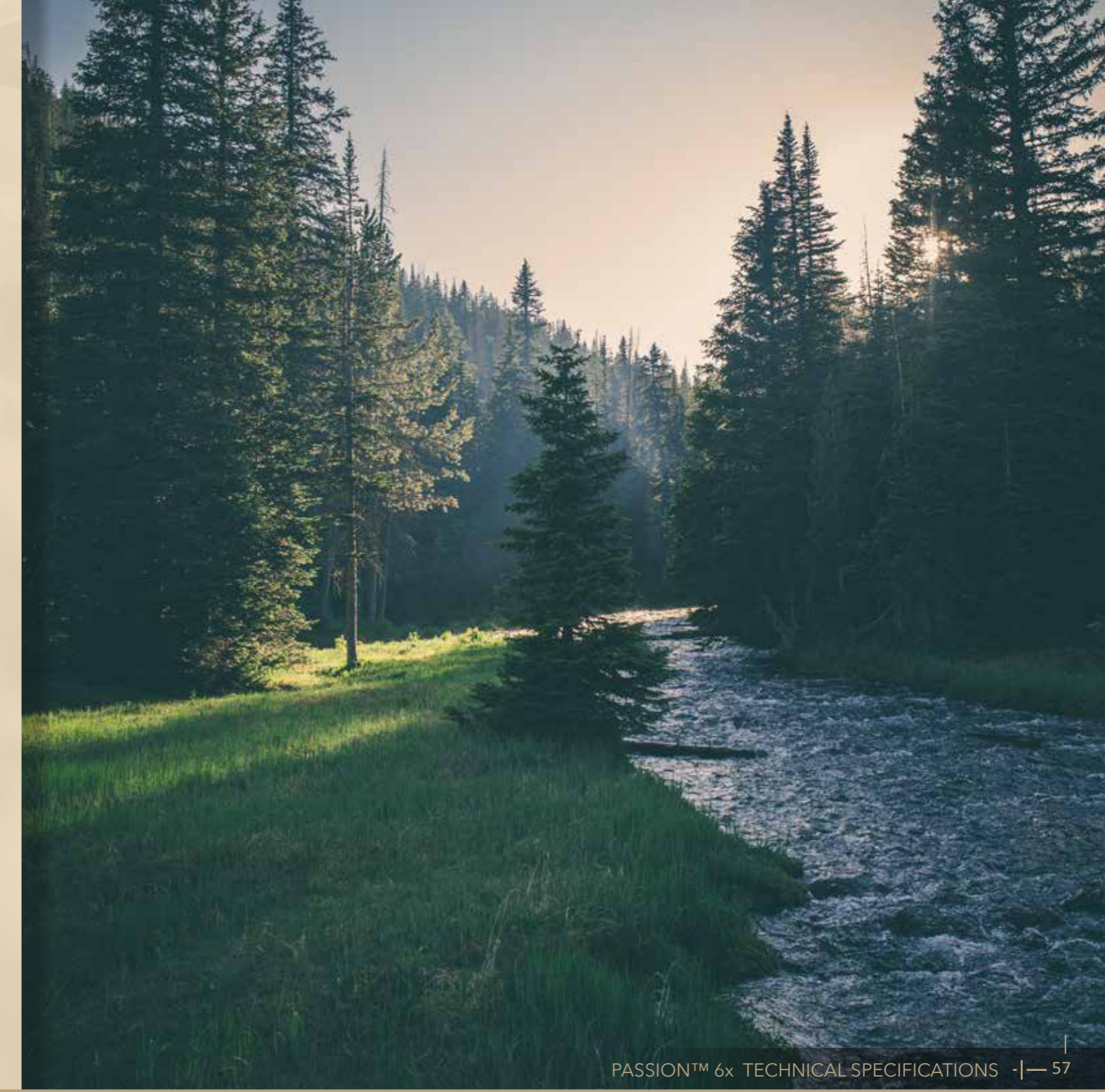


PASSION™ 6x 2.5-15x50i



PASSION™ 6x 2.5-15x56i

Magnification:	.	1x - 6x	2,5x - 15x	2,5x - 15x
Field of view (FOV) ft at 100y:	.	113 - 19	42 - 7	42 - 7
Field of view (FOV) m at 100m:	.	37 - 5,9	14 - 2,5	15 - 2,5
Objective diameter (mm):	Effective diameter	24	50	56
Exit pupil diameter (mm):	Measurement of the pupillary ocular beam	12 - 4	11,6 - 3,4	11,6 - 3,7
Eye Relief (inches):	From the last optical surface	3,94	3,74	3,74
Eye Relief (mm):	From the last optical surface	100	95	95
Travel value per click at 100y:	1 Click = x/100y	.36"	.36"	.36"
cm travel value per click at 100m:	1 Click = x/100m	1	1	1
Elevation range total (inches at 100y):	100y	84	52,4	52,4
Elevation range total (cm at 100m):	100m	232	145	145
Windage range total (cm at 100):	100m	232	145	145
Parallax compensation:	Parallax free at x distance	100m	side adjustment	side adjustment
Transmission Daylight:	ISO 14490-5:2005	90%	91%	91%
Height (inches):	Without covers	1,9	1,9	1,9
Height (mm):	Without covers	49,3	49,3	49,3
Width (inches):	Fully extended	2,6	3	3
Width (mm):	Fully extended	65,7	76,5	76,5
Length (inches):	At outside diameter	10,6	15	15
Length (mm):	At outside diameter	269	381	381
Tube diameter (mm):	Width of main tube	30	30	30
Weight (ounces):	Without covers	18,7	25,7	28,2
Weight (grams):	Without covers	530	730	800
Windage range total (inches at 100y):	100y	84	52,4	52,4
Mechanical outer diameter (objective mm):	Obejective end of scope	30	58	65
Mechanical outer diameter (ocular mm):	Ocular end of scope	46	46	46
Reticle Option:	.	G4i (German #4 illuminated)	G4i (German #4 illuminated)	G4i (German #4 illuminated)
Accessories included with this purchase:	.	Instruction manual, cleaning cloth, flip cap objective cover, battery CR2032	Instruction manual, cleaning cloth, flip cap objective cover, battery CR2032	Instruction manual, cleaning cloth, flip cap objective cover, battery CR2032





PASSION™ 8x

RIFLESCOPE

PASSION™ 8x

A specialty line intended for the most demanding of users. The expansive 8x zoom span combined with top-quality materials and meticulous attention to detail in the manufacturing process results in the perfect rifle scope for driven and big game hunting.

PASSION™ 8x 1-8x24i



PASSION™ 8x

A specialty riflescope intended for the most demanding of users. The expansive 8x zoom span combined with top-quality materials and meticulous attention to detail in the manufacturing process results in the perfect tool for driven and big game hunting. An expansive field of view and premium performing iControl™ illumination technology keep your attention focused on the right shot placement at the right time.

- 30mm Main Tube
- Double HD Objective Lenses
- Super-Zoom 8x Magnification Range
- Anodized Aluminum Turret Caps
- 1 CM / CW Rotation
- iControl™ Illumination
- GPObright™ Lens Coatings
- PASSIONtrac™ Quick-Zero Turrets

Reticle Option: G4i



TECHNICAL SPECIFICATIONS



PASSION™ 8x 1-8x24i

Magnification:	.	1x - 8x
Field of view (FOV) ft at 100y:	.	108 - 14
Field of view (FOV) m at 100m:	.	37 - 4,5
Objective diameter (mm):	Effective diameter	24
Exit pupil diameter (mm):	Measurement of the pupillary ocular beam	11,7 - 3,3
Eye Relief (inches):	From the last optical surface	3,54
Eye Relief (mm):	From the last optical surface	90
cm travel value per click at 100m:	1 Click = x/100m	1
Elevation range total (inches at 100y):	100y	105,4
Elevation range total (cm at 100m):	100m	291
Windage range total (cm at 100):	100m	291
Parallax compensation:	Parallax free at x distance	100m
Transmission Daylight:	ISO 14490-5:2005	91%
Height (inches):	Without covers	2,2
Height (mm):	Without covers	55,3
Width (inches):	Fully extended	2,85
Width (mm):	Fully extended	72,5
Length (inches):	At outside diameter	10,7
Length (mm):	At outside diameter	273
Tube diameter (mm):	Width of main tube	30
Weight (ounces):	Without covers	21,7
Weight (grams):	Without covers	615
Mechanical outer diameter (objective mm):	Obejctive end of scope	30
Mechanical outer diameter (ocular mm):	Ocular end of scope	46
Recticle Option:	.	G4i
Accessories included with this purchase:	instruction manual, cleaning cloth, flip cap objective cover, battery CR2032	



GPO TAC™ RIFLESCOPE

GPO TAC™

This line of tactical riflescopes packs incredible high-demand features into every item. Massive mil-rad turrets, mil-spec reticles, fiber optic iControl™ illumination with auto-off functionality and stunning optical performance will shake shooters to their core. Built with 30mm and 34mm main tubes, these riflescopes allow for an optimal range of adjustment. Feature for feature, spec for spec, you will find no better optic for your demanding needs.

GPOTAC™ 8x 1-8x24i



GPOTAC™ 8x

The GPOTAC™ 1-8x24i packs incredible high-demand features into a compact and robust package. Massive mil-rad lockable target turrets, fiber optic iControl™ illumination with auto-off functionality powers an illuminated mil-spec horseshoe reticle.

Built on a 34mm main tube that delivers an outstanding 104" of adjustment range, these riflescopes will fill virtually any elevation adjustment engagement need. Feature for feature, spec for spec, you will find no better optic.

- 34mm Main Tube
- Double HD Objective Lenses
- Super-Zoom 8x Magnification Range
- First Focal Plane
- Mil-Spec Horseshoe Reticle
- Mil-Rad Locking Target Turrets
- 1 CM / CW Rotation
- iControl™ Illumination
- GPObright™ Lens Coatings

Reticle Option: HS(i)



TECHNICAL SPECIFICATIONS



GPOTAC™ 8x 1-8x24i

Magnification:		1x - 8x
Field of view (FOV) ft at 100y:		107 - 13
Field of view (FOV) m at 100m:		35 - 4,4
Objective diameter (mm):	Effective diameter	24
Exit pupil diameter (mm):	Measurement of the pupillary ocular beam	11,7 - 3
Eye Relief (inches):	From the last optical surface	3,54
Eye Relief (mm):	From the last optical surface	90
Focal plane:	F1 - magnifying reticle	F1
cm travel value per click at 100m:	1 Click = x/100m	1mrad
Elevation range total (inches at 100y):	100y	105,4
Elevation range total (cm at 100m):	100m	291
Windage range total (cm at 100):	100m	291
Parallax compensation:	Parallax free at x distance	100m
Transmission Daylight:	ISO 14490-5:2005	90%
Height (inches):	Without covers	2,4
Height (mm):	Without covers	61
Width (inches):	Fully extended	3,1
Width (mm):	Fully extended	79
Length (inches):	At outside diameter	10,7
Length (mm):	At outside diameter	273
Tube diameter (mm):	Width of main tube	34
Weight (ounces):	Without covers	27,1
Weight (grams):	Without covers	770
Mechanical outer diameter (objective mm):	Obejective end of scope	34
Mechanical outer diameter (ocular mm):	Ocular end of scope	46
Reticle Option:		HS(i) (Horseshoe illuminated)

Accessories included with this purchase: instruction manual, cleaning cloth, flip cap objective cover, battery CR2032

GPOTAC™ 6x 1-6x24i



GPOTAC™ 6x

The GPOTAC™ 1-6x24i packs incredible high-demand features into a compact and robust package. Massive mil-rad turrets, fiber optic iControl™ illumination with auto-off functionality powers an illuminated mil-spec reticle.

Built on a 30mm main tube, these riflescopes allow for an optimal range of adjustment. Feature for feature, spec for spec, you will find no better optic.

- 30mm Main Tube
- Double HD Objective Lenses
- Super-Zoom 6x Magnification Range
- First Focal Plane
- Mil-Spec Reticle
- Mil-Rad Locking Target Turrets
- 1 CM / CW Rotation
- iControl™ Illumination
- GPObright™ Lens Coatings

Reticle Option: HS(i)



TECHNICAL SPECIFICATIONS



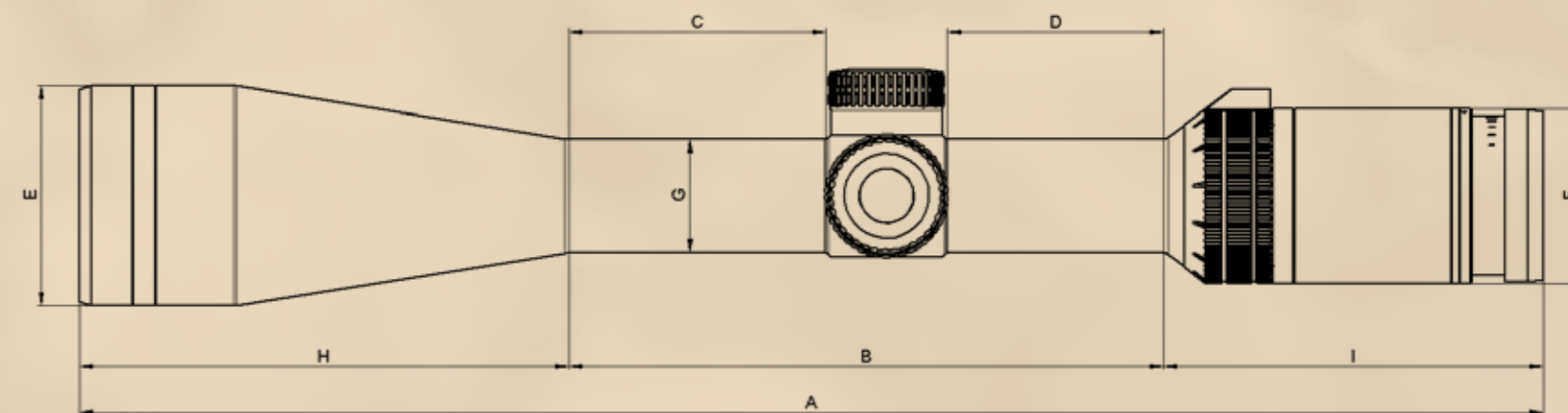
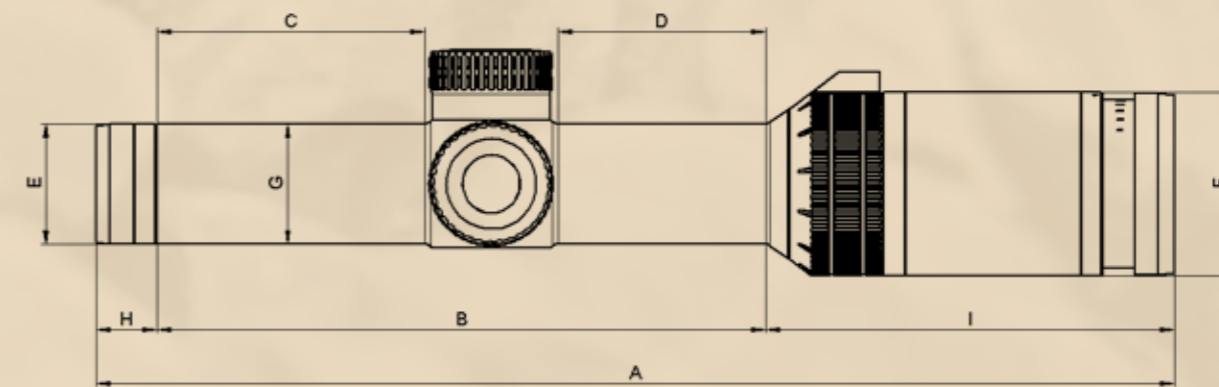
GPOTAC™ 6x 1-6x24i

Magnification:	.	1x - 6x
Field of view (FOV) ft at 100y:	.	113 - 19
Field of view (FOV) m at 100m:	.	38 - 6,3
Objective diameter (mm):	Effective diameter	24
Exit pupil diameter (mm):	Measurement of the pupillary ocular beam	12 - 4
Eye Relief (inches):	From the last optical surface	3,94
Eye Relief (mm):	From the last optical surface	100
Focal plane:	F1 - magnifying reticle	F1
cm travel value per click at 100m:	1 Click = x/100m	1mrad
Elevation range total (inches at 100y):	100y	84
Elevation range total (cm at 100m):	100m	232
Windage range total (cm at 100):	100m	232
Parallax compensation:	Parallax free at x distance	100m
Transmission Daylight:	ISO 14490-5:2005	90%
Height (inches):	Without covers	1,9
Height (mm):	Without covers	49,3
Width (inches):	Fully extended	2,6
Width (mm):	Fully extended	65,7
Length (inches):	At outside diameter	10,6
Length (mm):	At outside diameter	270
Tube diameter (mm):	Width of main tube	30
Weight (ounces):	Without covers	19,8
Weight (grams):	Without covers	560
Mechanical outer diameter (objective mm):	Obejctive end of scope	30
Mechanical outer diameter (ocular mm):	Ocular end of scope	46
Reticle Option:	.	HS(i) (Horseshoe illuminated)
Accessories included with this purchase:	instruction manual, cleaning cloth, flip cap objective cover, battery CR2032	

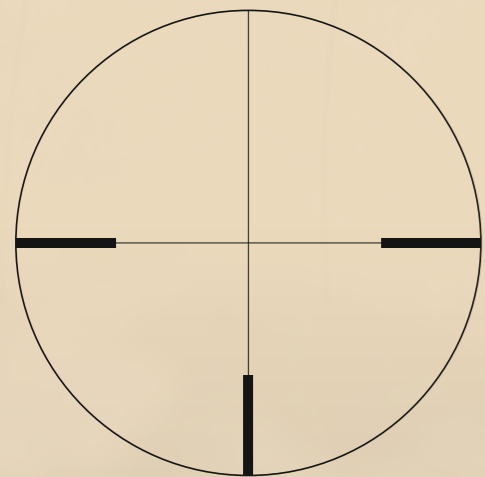
TECHNICAL SPECIFICATIONS

Gerät	A	B	C	D	E	F	G	H	I
3x									
3-9x40	317	144,4	59,6	53,5	47,5	41	25,4	77,1	95,5
3-9x40i	317	144,4	59,6	53,5	47,5	41	25,4	77,1	95,5
3-9x42	299	138,9	52,7	53	50	42,6	25,4	79,1	81
4-12x40	317	144,4	59,6	53,5	47,5	41	25,4	77,7	95,5
4-12x42	307	147	61,5	52,2	50	42,6	25,4	79,1	80,9
4-12x50i	336,5	135,9	51,1	53,5	60	41	25,4	105,1	95,5
4x									
3-12x56	339	125,8	41,1	48	63,5	44	30	111,9	102,3
6-24x50	391	164,5	67,3	54,8	58	42,6	30	140,5	86
6x									
1-6x24	269	151,8	66,8	51,9	30	46	30	15,2	102
2,5-15x50i	386,6	157,1	67,9	57,1	58	46	30	129,3	100,2
2,5-15x56i	380,8	146,2	56,8	57,4	65	46	30	134,6	100
8x									
1-8x24i tac	273,9	174,1	61	69,5	34	46	34	16,2	83,6
1-8x24i	272,7	167,6	62,9	62,9	30	46	30	15,2	89,9

SKETCH

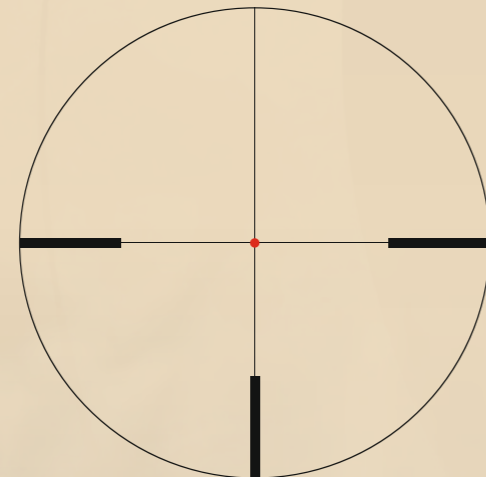


OVERVIEW RECTICLES



GERMAN 4 non-illuminated

PASSION™ 4x 3-12x56



GERMAN 4 illuminated

PASSION™ 3xi 3-9x40i / 4-12x50i

PASSION™ 4xi 3-12x56i

PASSION™ 5xi 1-5x24i / 3,5 -18x56i

PASSION™ 6xi 1-6x24i / 2,5-15x50i / 2,5-15x56i

PASSION™ 8xi 1-8x24i



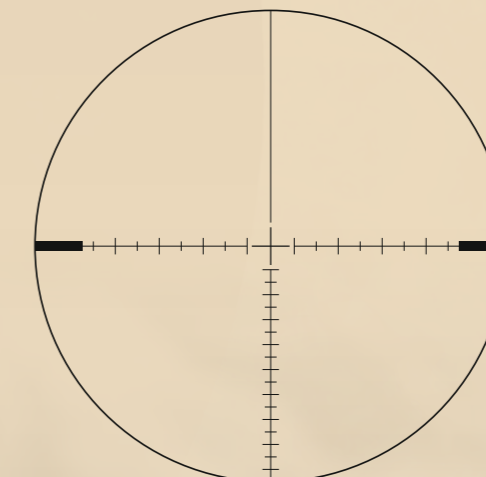
PLEX

PASSION™ 3x 3-9x42 / 4-12x42



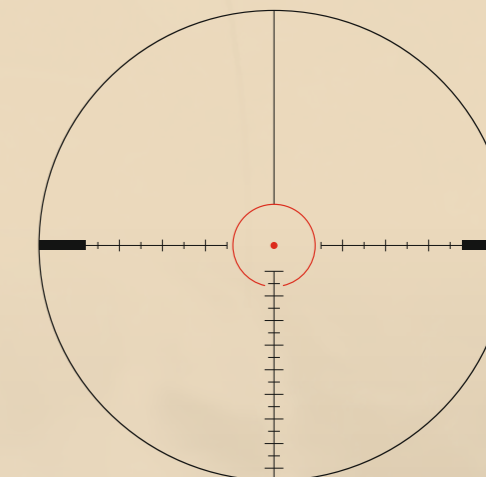
BDC

PASSION™ 3x 3-9x42 / 4-12x42



GPOps

PASSION™ 4x 6-24x50 MOA / 6-24x50 CM



HORSESHOE

GPOTAC™ 6x 1-6x24iTAC

GPOTAC™ 8x 1-8x24iTAC

Die Angaben über
Preise, Lieferumfang und Leistungen entsprechen den zum Zeitpunkt der Drucklegung
vorhandenen Kenntnissen. Irrtümer, Druckfehler und technische Änderungen bleiben vorbehalten.
Nachdruck, auch auszugsweise, nur mit schriftlicher Genehmigung der GPO GmbH & Co KG.

GPO GmbH & Co. KG | Wildmoos 9 | 82266 Inning am Ammersee
Tel.: +49 (0) 8143 99 20 87 0 | Email: info@gp-optics.com | www.gp-optics.com